



ITEMS THAT ARE HIGHLIGHTED ARE POPULAR ITEMS

ITEMS WITH CONVERSATION BUBBLE GIVE MORE INFORMATION



# Replacement Parts for Infra-Rez® Infrared Heater Models VR, TR, TRPA, TRP, and RIH/RIHV



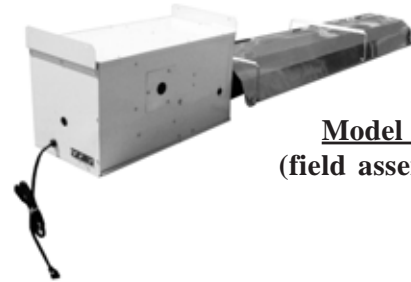
Form P-VR/TRPA/RIH (Version B)  
Obsoletes Form RZ-NAP-VR/TRP/RIH (Version A)



INDEX by Model	VR	TR*	TRPA	TRP	RIH(V)
<b>Replacement parts on pages</b>	<b>4 - 8</b>	<b>9</b>	<b>10 - 11</b>	<b>12 - 14</b>	<b>15 - 16</b>
Burner Assembly	4	*	11	12	16
Capacitor	4	--	--	12	--
Chains for Hanging	7	9	10	14	15
Combustion Chamber Tube	6	*	--	--	--
Connection Hardware	6	*	--	14	--
Connector, Flexible Gas (Option CD)	8	8	8	8	15
Conversion Kit, Altitude	4	--	--	--	--
<b>Conversion Kit, Gas</b>	4	9	11	13	--
Conversion Label, Size	3	--	--	--	--
Cord, Power	4	9	11	13	--
Door Assembly (Burner Box)	4	--	10	12	--
Electric Components	4-5	9	11	12-13	15
Hardware Package (To replace missing hardware in a tube package.)	6	*	--	--	--
Heat Exchanger Section Assembly	--	*	10	14	--
Heat Exchanger Tube (5-ft) (Opt UA1)	6	*	--	--	--
Heat Exchanger Tube (10-ft)	6	*	--	--	--
<b>Ignition Controller</b>	4	9	11	13	15
Inlet Air Kit (Combustion Air) (Opt DE2)	7	7	--	--	--
"L" Heat Exchanger Tube (Option UC2)	6	*	--	--	--
Manifold	--	*	11	13	16
<b>Motor</b>	4	9	11	12	--
Multiple Heater Control (Option CL31 and Option CL32)	8	8	--	--	--
Orifice, Air (Combustion Air Restrictor)	4	--	--	--	--
<b>Orifice, Gas</b>	4	9	11	13	16
<b>Pilot</b>	--	9	--	--	15
Rating Plate	2 & 3	2 & 3	2 & 3	2 & 3	--
Reflector	6	*	10	14	16
Reflector End Cap	6	*	10	14	--
<b>Relay</b>	4	9	--	--	--
Restrictor Plate	4	*	--	--	--
Screen, Protective (Option DN3)	--	--	--	--	16
Separated Combustion Vent Terminal / Combustion Air Kits (Option CC2 and Option CC6)	--	--	--	14	--
Serial No.	2 & 3	2 & 3	2 & 3	2 & 3	--
Shield, Heat (Option DO3)	--	--	--	--	16
Shield, Side (Options CD 13-20, 30-31)	7	*	--	14	--
<b>Switch, Air Pressure</b>	4	9	11	12	--
<b>Transformer</b>	4	9	11	12	--
Thermostat/Thermostat Accessories	8, 9	8, 9	9	9	15
Tubes	6-7	*	10	14	--
Turnbuckle	8	8	8	8	--
"U" Heat Exchanger Tube (Option UB3)	7	--	--	--	--
<b>Valve</b>	4	9	11	13	15
Vent Box	--	--	10	--	--
Vent Cap	8	8	8	8	--
Vent Kit for Dual Vent (Option CC5)	8	8	8	8	--
Wire Grid (Option DN2)	--	--	--	--	16

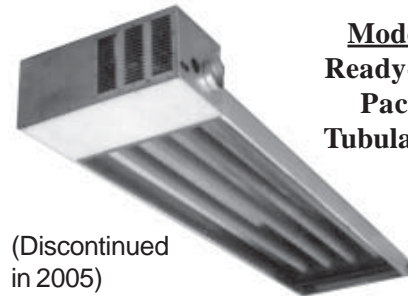
\*Burner box and tube system parts including reflectors designed for Model TR are no longer available. Refer to page 9 for information on selecting compatible Model VR parts.

## Low-Intensity, Tubular, Infrared Models



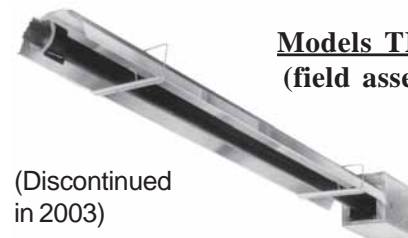
**Model VR**  
(field assembled)

**Burner/Control Box of a Model TRPA Ready-to-Hang Packaged Tubular Heater**



**Model TRP**  
Ready-to-Hang Packaged Tubular Heater

(Discontinued in 2005)



**Models TR/TR-H**  
(field assembled)

(Discontinued in 2003)

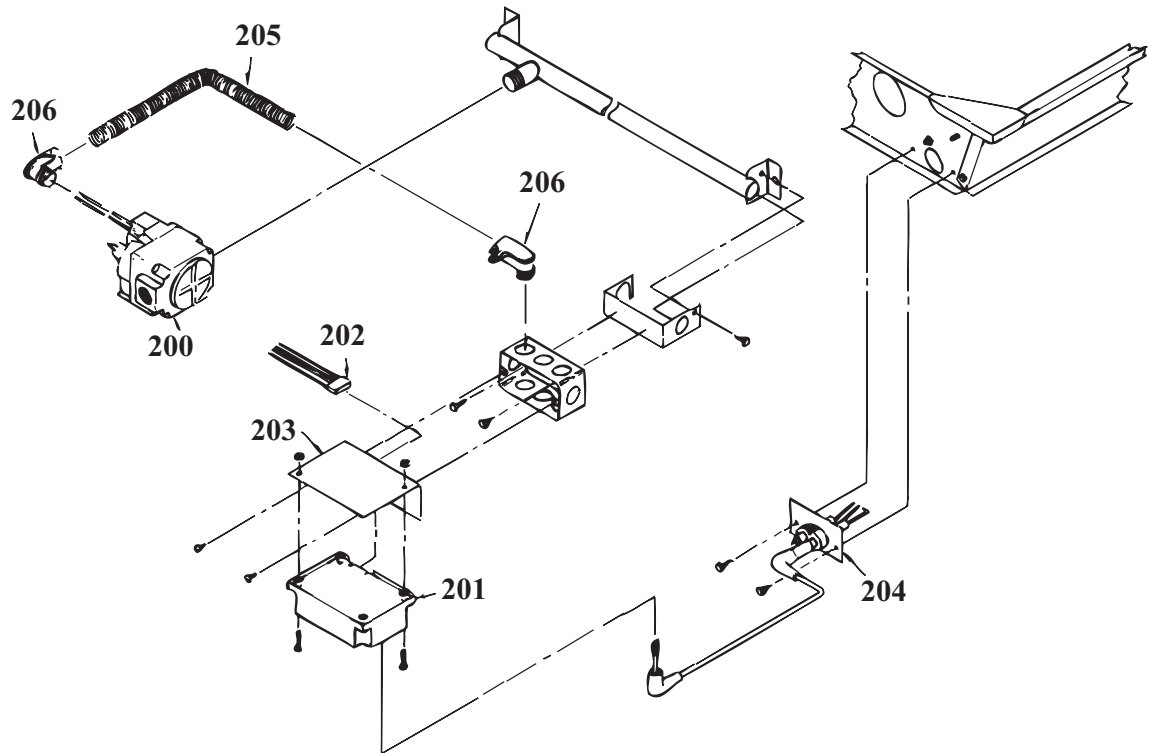
## High-Intensity, Infrared Models



**Models RIH/RIHV**  
High-Intensity Infrared Heaters

## Replacement Parts - High-Intensity Infrared Models RIH/RIHV

**Controls -  
All RIH/  
RIHV High-  
Intensity  
Infrared  
Models**



CODE	P/N	Description
200	112044	Main Valve (115V) - 1/2" NPT, 002-42-01536C01A284 (natural and propane)
201	96010	Ignition Detection Control Replacement Kit, #0001-22-046
202	96011	Wire Harness, #132084, Pkg R10
203	112045	Ignition Detection Control Mounting Bracket, #000K-1-016
204	112046	Ignitor, #0002-42-110
205		Conduit, 3/8" Greenfield with Anti-Short Bushings
	112047	for <b>RIHN30, RIHN60, RIHL50</b> , #3802-95-300-01
	112048	for <b>RIHVN 100, RIHVL90</b> , #3802-95-300-02
	112049	for <b>RIHVN 150, RIHVL 120</b> , #3802-95-300-03
	112050	for <b>RIHVN 160, RIHVN 200</b> , #3802-95-300-04
206	112051	Angle Connector for 3/8" Greenfield, #3802-95-302
207	96016	Air Flow Switch, #132081-2N, Pkg R15

## Miscellaneous Replacement Parts and Accessories - Models RIH/RIHV

Description	Same as	P/N
Chain - 50', 200 lb with 14 "S" Hooks	Option UE-1	95995
Chain Hanging Kit - see illustration and instructions on the right	Option UE-2	110253
Stainless Flex Gas Connector, 24", 7/8" O.D. with 1/2 gas cock with pressure tap	Option UF-2	96000
Single-Stage Thermostat - see illustration below	Option CL34	110252



### Single-Stage Thermostat, P/N 110252

115/24 Volt  
50-90°F Range  
Snap Action Switch  
Vertical Mounting  
Mfr #132026-1

### Chain Hanging Kit, P/N 110253

#### Instructions:

- 1) Hang full length chain at desired height and attach heater (C) with S-hooks.
- 2) Attach one end of the 11-inch length chain with S-hooks to front of heater (D).
- 3) Place other end of chain with S-hook in hook (B) on the full length chain.
- 4) Change degree of angle by moving "S" hook at point B.
- 5) Check to be sure unit is level. Crimp all "S" hooks closed.

